

designStele

Turn your garden into an oasis of well-being

Our designs steles will help you to realise your garden dreams.

Due to their low weight, the design steles can be easily processed and assembled - all without the help of machines. The sustainably produced steles are simply set in concrete or integrated as a fence element.

Whether on roof gardens, balconies or terraces, the design steles can also be installed in areas that are difficult to access.

On request, each design stele can be made unique through individual milling and possible integrated lighting.

Our lightweight design steles are available in a wide range of sizes and can be installed in concrete, rust or sandstone look.

We will find the right special solution for every situation.

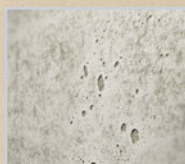
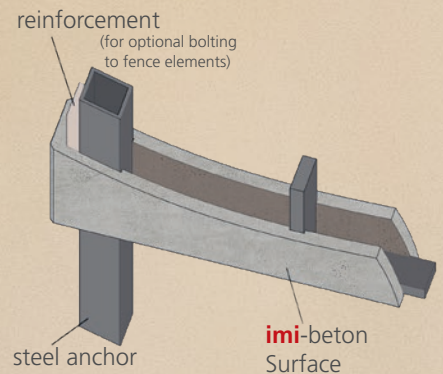
Standard dimension in mm:

W: 1000 x H: 1780 x L: 92

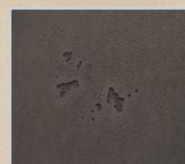
Further dimensions:

Widths: 1000, 750, 500

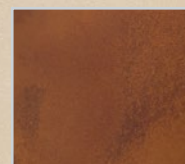
Heights: 1600, 1400



vintage standard



vintage anthracite



rust smooth



sandstone

imi is a brand of
H. Schubert GmbH
Bilk 73
48493 Wettringen

Tel.: +49(0)2557 - 937740
info@imi-beton.com
www.imi-beton.com

imi
SURFACE DESIGN